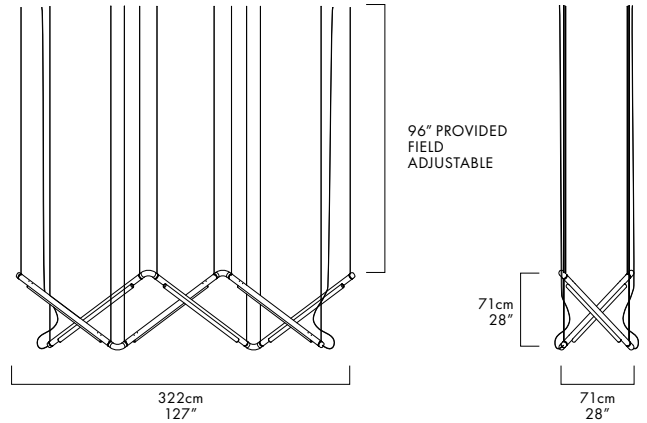


PIPELINE CM9 – PENDANT

CAINE HEINTZMAN / 2013



PIP-CM9-P-CP-27-MLV-120



DESCRIPTION

The Pipeline series begins with a linear LED light, elegant in its simplicity; however what sets it apart is the ability to expand the scale of the fixture by multiplying the modular pendant, creating an infinite range of tailored lights.

MATERIALS

- Aluminum Body
- Cast Acrylic

MANUFACTURED

Canada

DIMENSIONS

322 x 71 x 71cm / 127" x 28" x 28"

ELECTRICAL

- 2 x 45W LED
- 47,000 hour Lifetime
- 90+ CRI
- Input Voltage 100–240V + 277V
- Integral 24V DC power supply included
- Dimming Options: MLV, 0–10, Dali

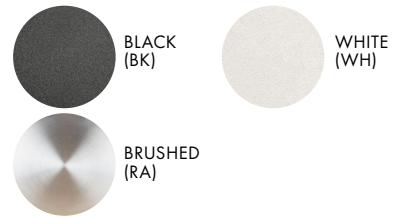
COLOUR TEMPERATURE



CERTIFICATIONS



STANDARD FINISHES



DECORATIVE FINISHES



SERIES	SIZE	TYPE	BODY FINISH	END CAP/ JOINER/ELBOW	CCT	PS	VOLTAGE IN
PIP	CM9	P	<input type="checkbox"/> BK (BLACK)	<input type="checkbox"/> BK (BLACK)	<input type="checkbox"/> 27 (2700K)*	<input type="checkbox"/> MLV*	<input type="checkbox"/> 120
			<input type="checkbox"/> WH (WHITE)	<input type="checkbox"/> WH (WHITE)	<input type="checkbox"/> 30 (3000K)	<input type="checkbox"/> 010	<input type="checkbox"/> 230
			<input type="checkbox"/> RA (BRUSHED)	<input type="checkbox"/> BR (BRASS)	<input type="checkbox"/> 35 (3500K)	<input type="checkbox"/> DAL	<input type="checkbox"/> 277
			<input type="checkbox"/> BR (BRASS)	<input type="checkbox"/> CP (COPPER)	<input type="checkbox"/> 41 (4100K*)		
			<input type="checkbox"/> CP (COPPER)				

*STANDARD STOCK FOR 120V

MODIFIED: 03/26/19



WWW.ANDLIGHT.CA
INFO@ANDLIGHT.CA
+1 604 563 6938

505 B RAILWAY STREET
VANCOUVER, BC
CANADA V6A 1A7