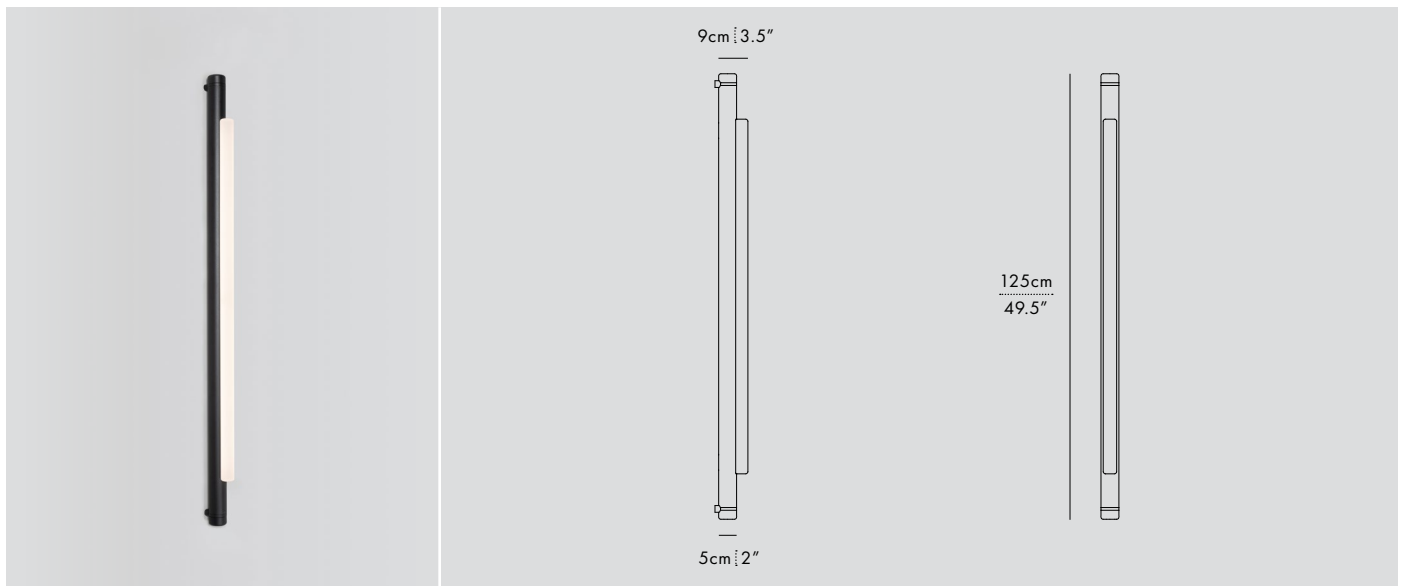


# PIPELINE 125 – C/W

CEILING/WALL

MANUFACTURED IN CANADA

CAINE HEINTZMAN / 2021



PIP-125-CW-BK-27-ELV-120

## DESCRIPTION

Space efficient, the surface mounted Pipeline provides accent lighting while becoming an integral element of the environment it is set in.

## TYPE

Ceiling/Wall

## DIMENSIONS

- Luminaire: 125 x 9 x 5cm / 49.5" x 3.5" x 2"

## POWER TRIM OPTIONS

- Trimless (Mud-in or surface mount, remote power supply)
- Cover plate (Junction box, 4.5" x 4.5")

\* SEE INSTALL INSTRUCTIONS

## CERTIFICATIONS

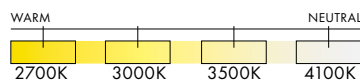


\* APPLICATION: DRY INDOOR LOCATION ONLY

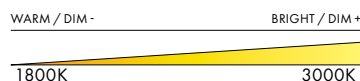
## TECHNICAL INFORMATION

- Input Voltage: 110–120V, 220–240V, 110–277V
- Lamping: Integral 17W 24V DC LED  
CRI 90+, 50,000 hours
- Lumens: 716 lumens delivered
- Power Supply: Phase dimming, 0-10V, DALI

## COLOUR TEMPERATURE OPTIONS



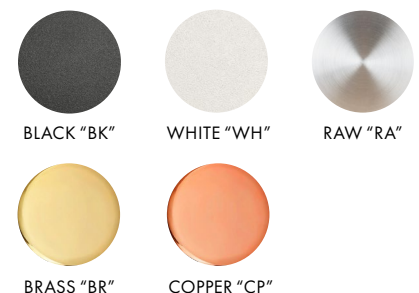
## DIM TO WARM



## MATERIALS

- Aluminum
- Acrylic

## FINISHES



FOR CUSTOM FINISHES, PLEASE INQUIRE.

SERIES	SIZE	TYPE	BODY FINISH	END CAP/JOINER	CCT	PS	VOLTAGE IN
PIP	125	CW	<input type="checkbox"/> BK (BLACK)	<input type="checkbox"/> BK (BLACK)	<input type="checkbox"/> 27 (2700K)	<input type="checkbox"/> ELV	<input type="checkbox"/> 120
			<input type="checkbox"/> WH (WHITE)	<input type="checkbox"/> WH (WHITE)	<input type="checkbox"/> 30 (3000K)	<input type="checkbox"/> 010	<input type="checkbox"/> 230
			<input type="checkbox"/> RA (RAW)	<input type="checkbox"/> BR (BRASS)	<input type="checkbox"/> 35 (3500K)	<input type="checkbox"/> DAL	<input type="checkbox"/> 277
			<input type="checkbox"/> BR (BRASS)	<input type="checkbox"/> CP (COPPER)	<input type="checkbox"/> 41 (4100K)		
			<input type="checkbox"/> CP (COPPER)		<input type="checkbox"/> DW (DIM TO WARM)		

