


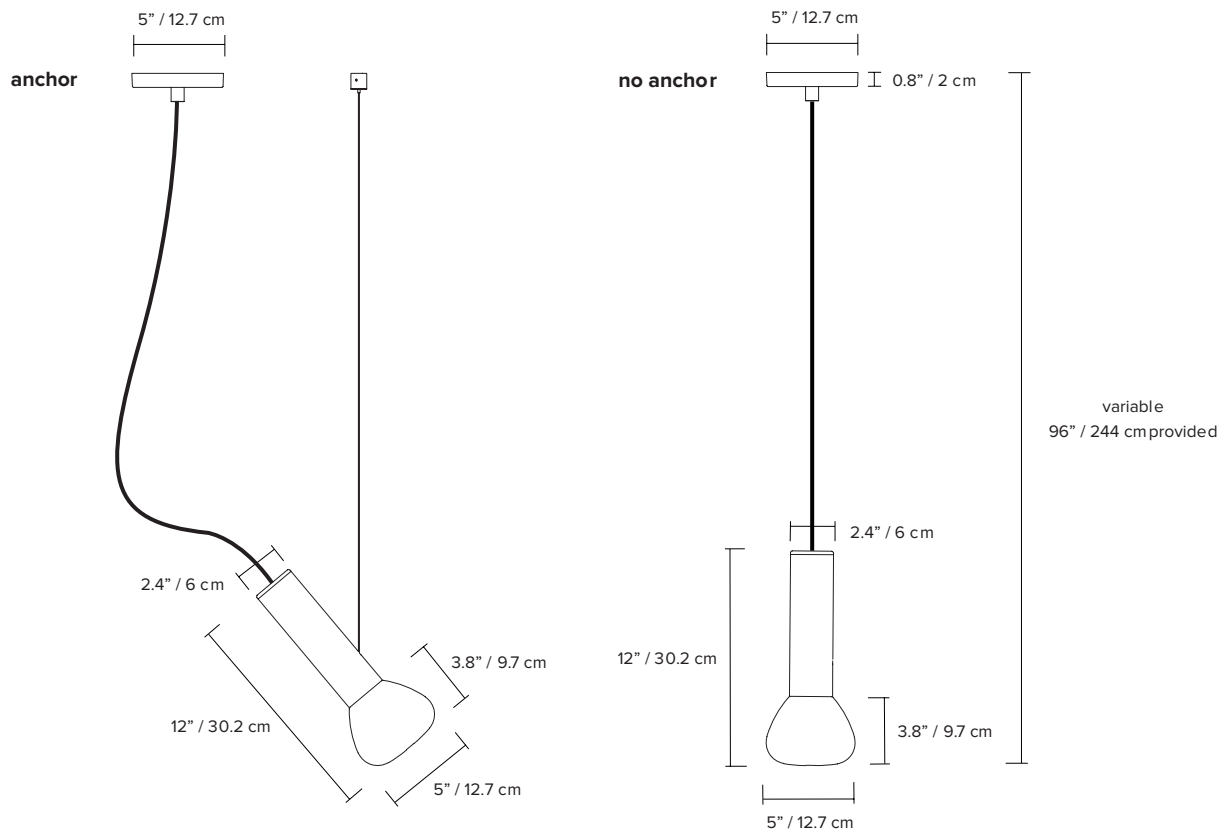




PARC 02

Parc is a collection inspired by childhood imagination and the essentiality of homemade forms — created in collaboration with Swiss designer Adrien Rovero. Evoking the archetype of a flashlight, each lamp of the Parc Collection is a playful reminder of time spent in nature, when a simple tube and piece of string could be used to fashion any number of creations. These makeshift things, at once naive and functional, harness the unique beauty of peeling an object back to its essence.

- type:** pendant
- construction:** hand blown frosted glass
powder coated aluminum body
polyester cord
- specifications:** source: LED lamp provided (G9 base)
power consumption: 4,5W
lumen output: 319lm
colour temperature: 2700K included
*3000K available upon request
colour rendering index: 80 CRI standard
* ≥ 90 CRI upon request
expected lifetime: 25 000h
- control:** refer to our recommended list of dimmer models
- cord length:** 96" / 244 cm
- weight:** 3.5lb / 1.6kg
- certifications:**     IP20
- warranty:** 2 years

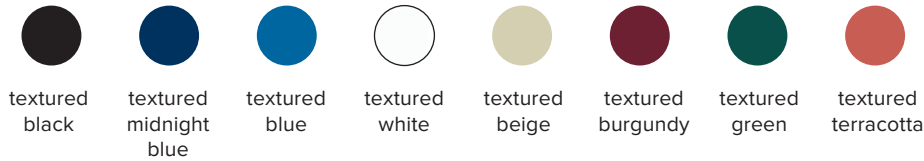


*dimensions are approximate and may vary slightly

ORDER GUIDE: SKU

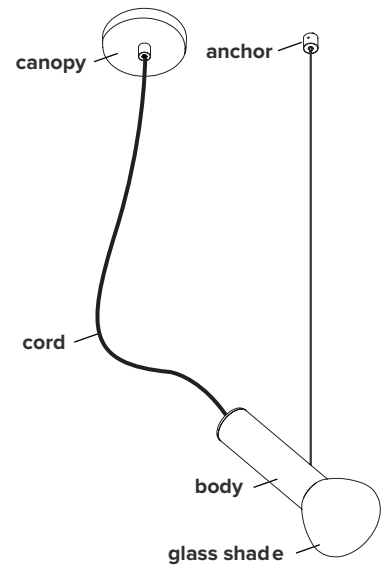
COLLECTION	MODEL	POSITION	BODY	CORD	CANOPY AND ANCHOR
PRC parc	02	A anchor	BK black	BK black	BK black
		NA no anchor	MB midnight blue	MB midnight blue	MB midnight blue
			BE blue	BE blue	BE blue
			WH white	WH white	WH white
			BG beige	BG beige	BG beige
			BU burgundy	BU burgundy	BU burgundy
			GN green	GN green	GN green
			TC terracotta		TC terracotta
PRC	02	A	BK	BK	BK = PRC02ABKBKBK example

FINISH



NOTES:

- must be installed by an electrician
- ceiling anchors not meant for slanted ceilings (available upon request)
- not protected against liquids (refer to IP20)
- additional charges for modifications or for special orders
- please refer to maintenance sheet on website for cleaning instructions



DIMMER SPECIFICATIONS

DIMMER LIST COMPATIBILITY FOR G9 LED BULBS – 120V

The dimming technology offering the best results is ELV (electronic low voltage) dimmers with reverse phase or trailing edge control.

DIMMER BRAND	MODEL NUMBER	MIN LEVEL	MAX LEVEL	FLICKERING	OVERALL QUOTE
LUTRON - MAESTRO	MAELV-600	0%	100%	0%-10%	good
LUTRON - SKYLARK	SELV-300P	0%	100%	no	very good
LUTRON - SKYLARK	SELV-303P	0%	100%	no	very good
LUTRON - SKYLARK	CTELV-303P	0%	100%	no	very good
LUTRON - DIVA	DVELV-300P	0%	100%	no	very good
LEGRAND - ADORNE	TRUE UNIVERSAL	30%	100%	no	good

DIMMER LIST COMPATIBILITY FOR G9 LED BULBS – 230V

DIMMER BRAND	MODEL NUMBER	MIN LEVEL	MAX LEVEL	FLICKERING	OVERALL QUOTE
VARILIGHT	V-PRO	2%	100%	no	very good
LEGRAND - NILOÉ	3 996 35	15%	87%	no	good
NIKO	310-0280X	5%	94%	no	very good
NIKO	310-0190X	1%	100%	no	very good

*Other dimmers can yield good results and we recommend conducting your own test before final installation.

EU ENERGY LABEL

