





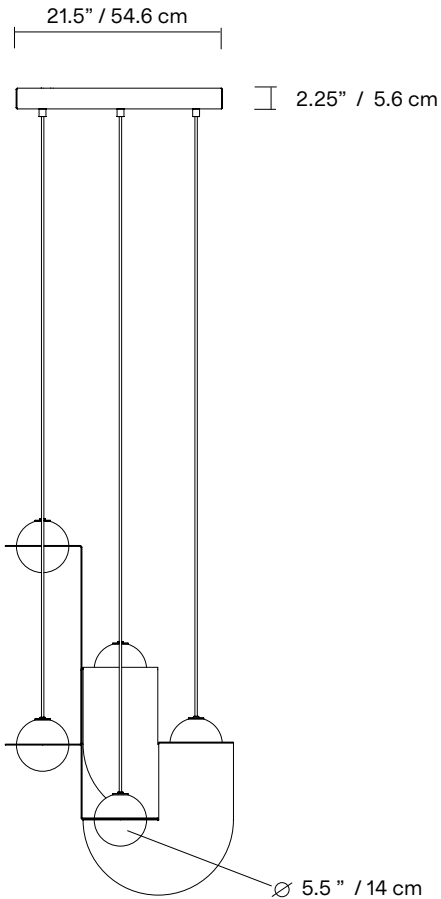
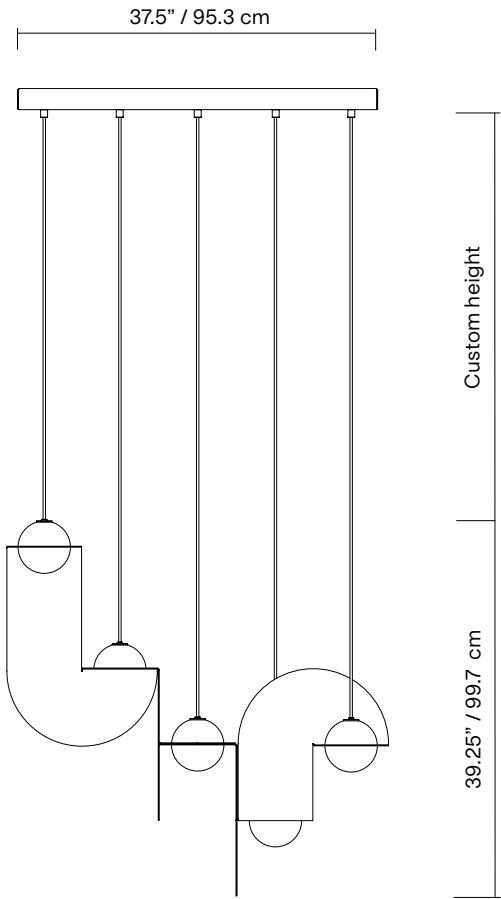
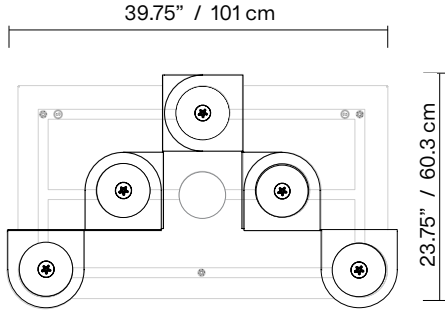
Laurent Atelier 01



This Laurent variation is poetic simplicity at its best. Inspired by the House of Cards game created by Charles and Ray Eames, its composition is meant to appear playful, like modules piled on top of each other in happenstance. Reminiscent of a children's mobile, it adds depth and movement to the original nomenclature of the Laurent, thus unfolding its full potential.

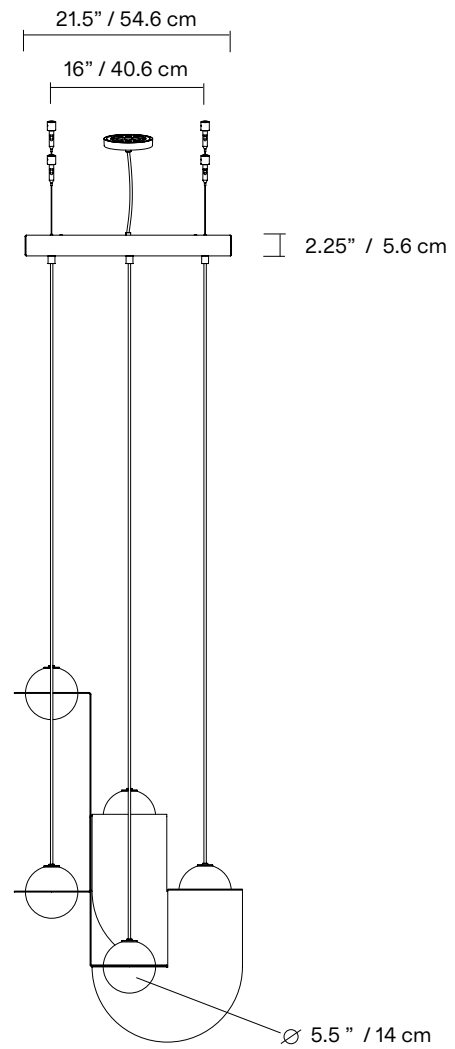
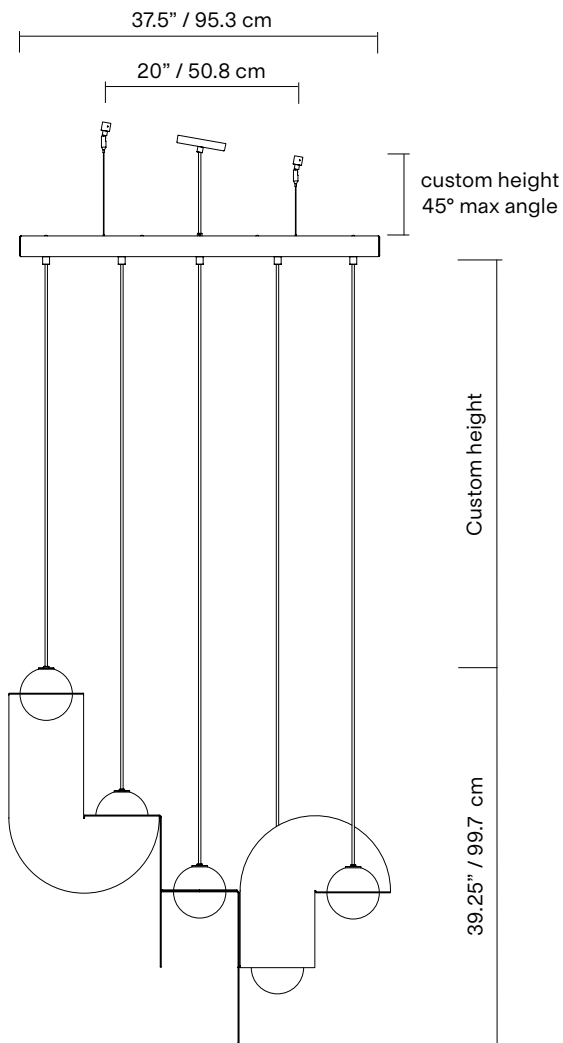
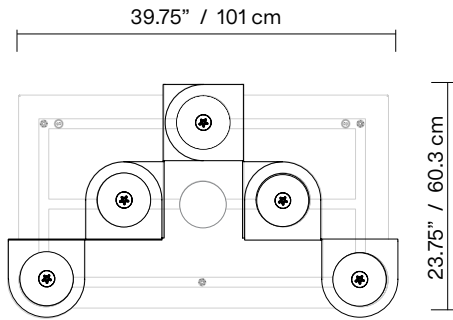
TYPE	Suspension
CONSTRUCTION	Powder coated aluminum and steel frame Powder coated aluminum canopy Brass or powder coated globe holder Handblown opaline globe Polyester cord
SPECIFICATIONS	Source: LED lamp provided (G9 base) Power consumption: 5x 4.5W Colour temperature: 2700K included * 3000K available upon request colour rendering index: 80 CRI standard * ≥ 90 CRI upon request expected lifetime: 25 000h Lumen output: 1595lm
CONTROL	Refer to our recommended dimmer list on page 6
CORD LENGTH	Custom length
WEIGHT	35.5lbs / 16 Kg
CERTIFICATIONS	    IP20
WARRANTY	2 years

SURFACE MOUNTED



*dimensions are approximate and may vary slightly

OFFSET MOUNTED
(for slanted ceiling
or offset canopy)



*dimensions are approximate and may vary slightly

FINISH



PP
Textured
poppy



AU
Textured
aubergine

CORD AND GLOBE HOLDER



BG
Beige



BR
Brass

CANOPY AND MOUNTING SYSTEM (offset canopy and anchors)



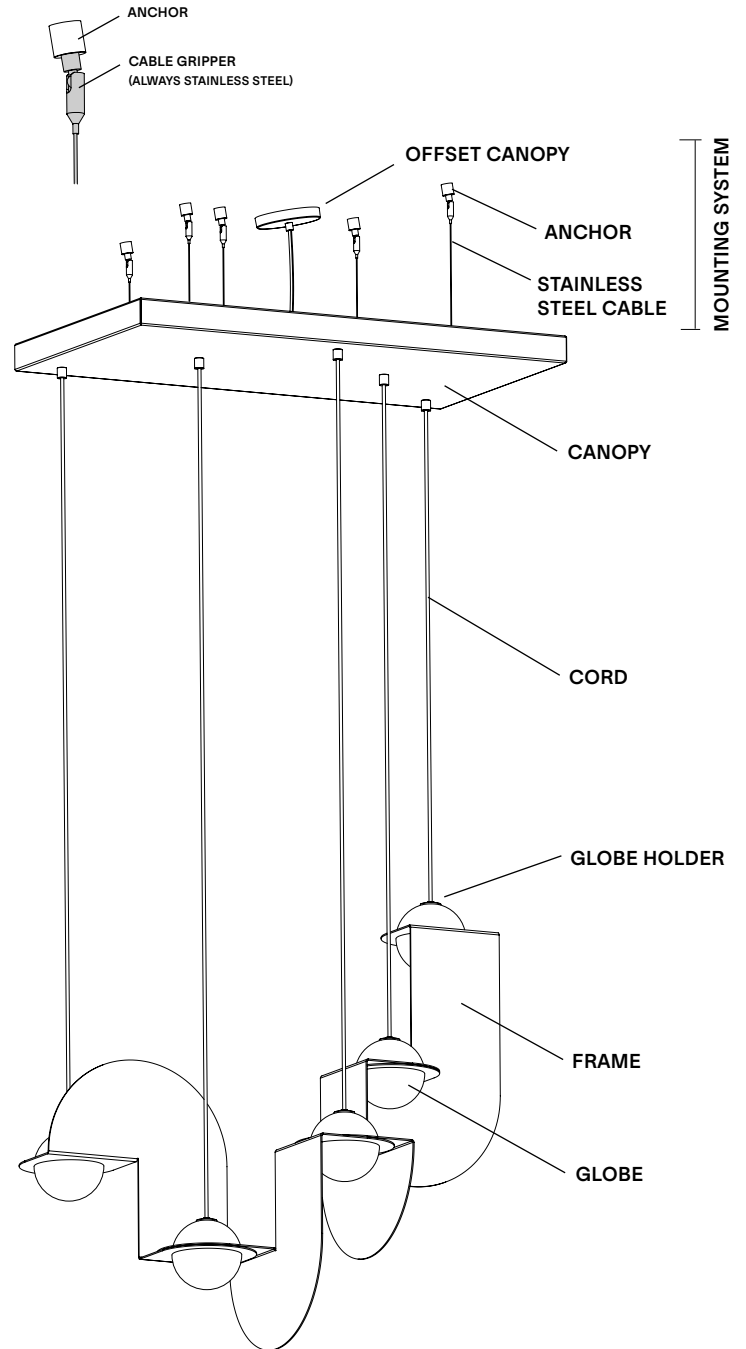
WH
Textured
white

NOTES

- Must be installed by an electrician
- Not protected against liquids (refer to IP20)
- Additional charges for modifications or for special orders
- Please refer to maintenance sheet on website for cleaning instructions

LAMP ANATOMY

(Offset canopy)



		Example	Fill with your selection
COLLECTION	LRT Laurent	LRT	LRT
MODEL	51	51	51
FRAME	PP Textured poppy AU Textured aubergine CC Custom colour*	PP	
CORD AND GLOBE HOLDER	BG Beige and brass CC Custom colour*	BG	
CANOPY	WH Textured white CC Custom colour*	WH	
MOUNTING TYPE	SM Surface mounted OS Offset mounted	SM	
MOUNTING TYPE FINISH**	WH Textured white CC Custom colour*		
FULL SKU		LRT51PPBGWHSM	

NOTES

*Custom colour available upon request. To choose only with offset mounted option. Material library on website.

**To choose only with offset mounted option.

DIMMER LIST COMPATIBILITY FOR G9 LED BULBS – 120V

The dimming technology offering the best results is ELV (electronic low voltage) dimmers with reverse phase or trailing edge control.

DIMMER BRAND	MODEL	MIN LEVEL	MAX LEVEL	FLICKERING	OVERALL QUOTE
Lutron - Maestro	MAELV600	0%	100%	0%-10%	Good
Lutron - Skylark	SELV300P	0%	100%	No	Very good
Lutron - Skylark	SELV303P	0%	100%	No	Very good
Lutron - Skylark	CTELV-303P	0%	100%	No	Very good
Lutron - Diva	DVELV-300P	0%	100%	No	Very good
Legrand - Adorne	TRUE UNIVERSAL	30%	30%	No	Good

DIMMER LIST COMPATIBILITY FOR G9 LED BULBS – 230V

DIMMER BRAND	MODEL	MIN LEVEL	MAX LEVEL	FLICKERING	OVERALL QUOTE
Varilight	V-PRO	2%	100%	No	Very good
Legrand- Niloé	3 996 35	15%	87%	No	Good
Niko	310-0280X	5%	94%	No	Very good
Niko	310-0190X	1%	100%	No	Very good

Some dimmers require a minimum load, check specifications.

*Other dimmers that specify LED lamp compatibility may operate without issue.

We recommend conducting your own test before final installation.

**Leading edge is also known as TRIAC or Forward Phase.

Trailing edge is also known as ELV or Reverse Phase.

EU ENERGY LABEL

