



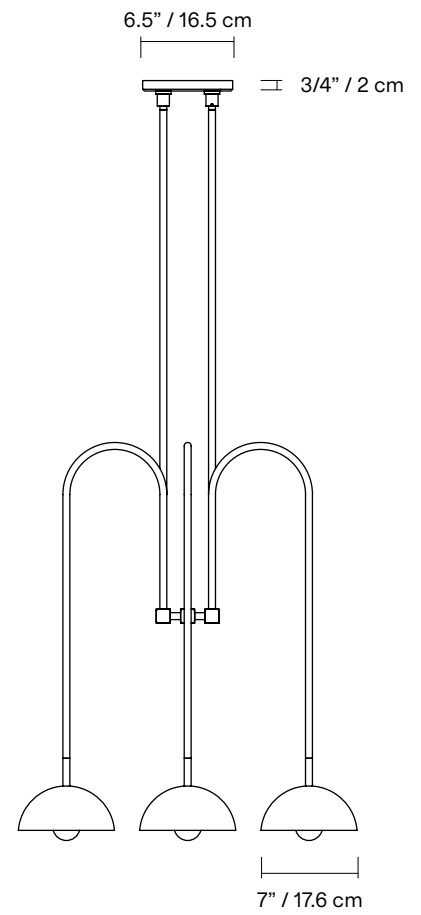
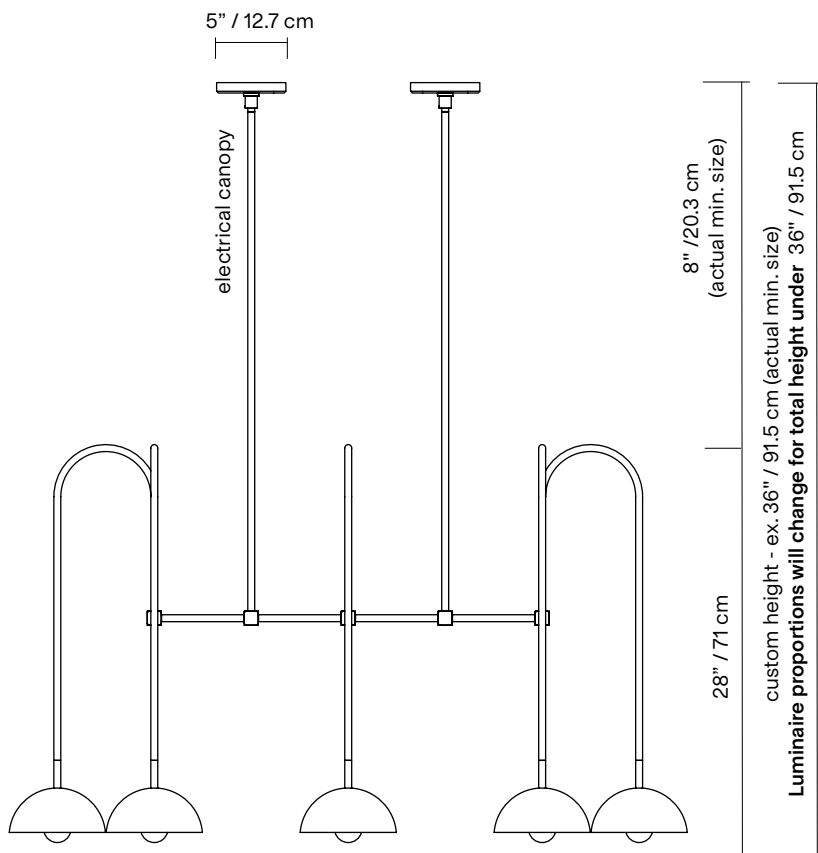
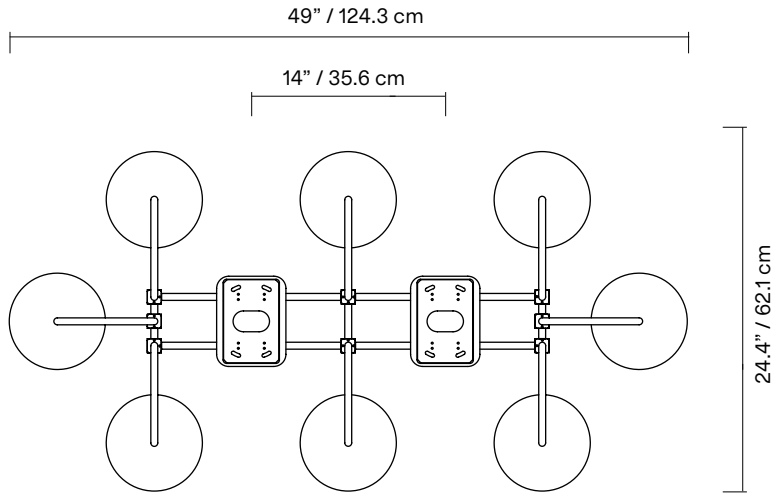


BEAUBIEN ATELIER 05



The Beaubien Atelier is a bold, ornamental suspension lamp that adds a maximalist touch to the minimalist spirit of the original collection. Inspired by the romance of Art Nouveau with a hint of industrial influence, and punctuated by a decorative pattern, the Beaubien Atelier adds a touch of grandeur and opulence to any space.

TYPE	Suspension
CONSTRUCTION	Powder coated aluminum and steel body Powder coated aluminum shades Brass hardware Milk glass globes
SPECIFICATIONS	Source: LED lamp provided (G9 base) Power consumption: 8 x 3.5W Lumen output: 1440lm Colour temperature: 2700K included * 3000K available upon request Colour rendering index: 80 CRI standard * ≥ 90 CRI available upon request Expected lifetime: 25 000h
CONTROL	Refer to our recommended list of dimmer models
TOTAL HEIGHT	Custom
WEIGHT	Min. 21 lb / 9.5 Kg
CERTIFICATIONS	    IP20
WARRANTY	2 years



*dimensions are approximate and may vary slightly

		Example	Fill with your selection
COLLECTION	BEA Beaubien	BEA	BEA
MODEL	55	55	55
FINISH	GE Glossy elephant OB Glossy oxblood CC Custom colour*	GE	
FULL SKU		BEA55GE	
		NOTES	

*Custom colour available upon request. Material library on website.

TESTED DIMMER COMPATIBILITY LIST - 120V*

Phase cut dimming (leading edge or trailing edge**)

DIMMER BRAND	MODEL	MAX LEVEL	MIN LEVEL	DIMMING PROTOCOL
LUTRON - MAESTRO	MAELV-600	100%	0%	Phase Cut
LUTRON - SKYLARK	SELV-300P	100%	0%	Phase Cut
LUTRON - SKYLARK	SELV-300P	100%	0%	Phase Cut
LUTRON - SKYLARK	CTELV-303P	100%	0%	Phase Cut
LUTRON - DIVA	DVELV-300P	100%	0%	Phase Cut
LEGRAND - ADORNE	TRUE UNIVERSAL	100%	30%	Phase Cut

TESTED DIMMER COMPATIBILITY LIST - 230V*

Phase cut dimming (leading edge or trailing edge**)

DIMMER BRAND	MODEL	MAX LEVEL	MIN LEVEL	DIMMING PROTOCOL
VARILIGHT	V-PRO	100%	2%	Phase Cut
LEGRAND - NILOÉ	3 996 35	87%	15%	Phase Cut
NIKO	310-0280X	94%	5%	Phase Cut
NIKO	310-0190X	100%	1%	Phase Cut

*Other dimmers can yield good results and we recommend conducting your own test before final installation.

Some dimmers require a minimum load, check specifications.

*Other dimmers that specify LED lamp compatibility may operate without issue.

We recommend conducting your own test before final installation.

**Leading edge is also known as TRIAC or Forward Phase.

Trailing edge is also known as ELV or Reverse Phase.
