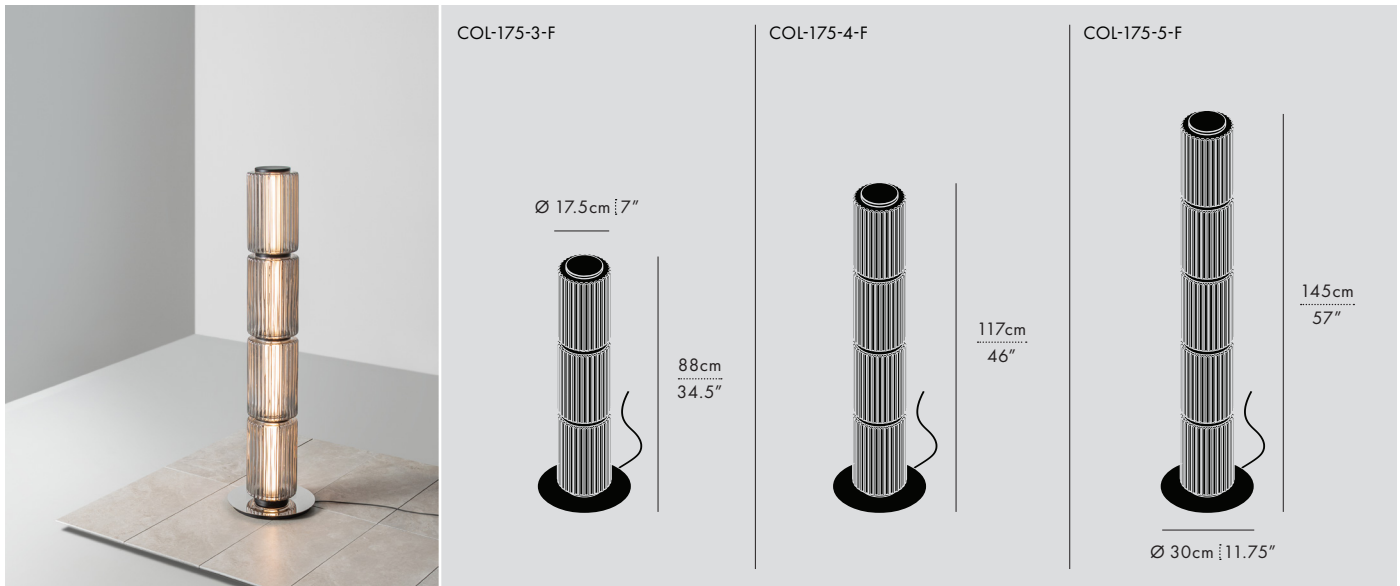


COLUMN 175 – F

FLOOR

MANUFACTURED IN CANADA

LUKAS PEET / 2023



COL-175-4-F-CBN-120

DESCRIPTION

The Column conveys order, symmetry and magnificence. With a commutable quality, the luminaire is able to grow and increase its commanding presence in a room to affirm its powerful structure.

TYPE

Floor

DIMENSIONS (PER 1 UNIT)

- Luminaire:
 $\varnothing 17.5 \times 29.5\text{cm} / \varnothing 7" \times 11.5"$
 Weight: 3.6kg / 7.9lbs

TECHNICAL INFORMATION

- Input Voltage:
110–120V, 220–240V
- Lamping:
12W 24V DC LED (PER UNIT)
CRI 90+, 50,000 hours
- Controls:
Foot dimmer switch included

DIM TO WARM



MATERIALS

- Glass
- Aluminum
- Steel

FINISHES



CERTIFICATIONS



* APPLICATION: DRY INDOOR LOCATION ONLY

SERIES	SIZE	UNIT	TYPE	FINISH	VOLTAGE IN
COL	175	<input type="checkbox"/> 3	F	<input type="checkbox"/> CBN (CARBON)	<input type="checkbox"/> 120
		<input type="checkbox"/> 4		<input type="checkbox"/> IVO (IVORY)	<input type="checkbox"/> 230
		<input type="checkbox"/> 5			